

# LT 90 - LT 90 M

## ACCESSORIES FOR PLATE MOUNTING WITH SAFETY BRAKE



CONFORM TO  
EN 13241-1  
EUROPEAN STANDARD

### Shaft for bobbins

**9146580** driving shaft 30x450 + key

### Washers for bobbins

Ø133 x 4	<b>1781025</b>	steel washer 30,5 x 124 x 4
Ø133 x 2.5	<b>2003920</b>	steel washer 30,5 x 127 x 4
Ø159 x 4.5	<b>2003921</b>	steel washer 30,5 x 149 x 6
Ø168 x 4.5	<b>9146566</b>	steel washer 30,5 x 158 x 6
Ø168 x 3.5	<b>4200472A</b>	steel washer D.30 / 160
Ø193.7 x 5.4	<b>2003924</b>	steel washer 30,5 x 181 x 6

### Shaft for bobbins

**550121** driving shaft 40x530 + key

### Washers for bobbins

Ø133 x 4	<b>1780600</b>	tube washer 133 x 4 axe D.40
Ø133 x 2.5	<b>2003928</b>	tube washer 133 x 2.5 axe D.40
Ø159 x 4.5	<b>2003929</b>	tube washer 159 x 4.5 axe D.40
Ø168 x 4.5	<b>1780601</b>	tube washer 168 x 4.5 axe D.40
Ø193.7 x 5.4	<b>2003930</b>	tube washer 193.7 x 5.4 axe D.40

### Safety brake

**1782101** safety break 332 Nm - D.30

### Screws (not provided)

2 screws M10 x 30 DIN 933 Zn 8.8  
2 nuts M10 Zn DIN 934  
2 washers Ø 10.5 Zn DIN 125

### Safety brake

**1782102** Safety break 552 Nm - D.40

### Screws (not provided)

2 screws M10 x 30 DIN 933 Zn 8.8  
2 nuts M10 Zn DIN 934  
2 washers Ø 13 Zn DIN 125

### Wall brackets (x2)

**9017173** angle bracket for plate 330 + screws

**9017174** angle bracket for plate 400 + screws

**9017175** angle bracket for plate 450 + screws

### Safety brake bracket

**9017176** safety brake bracket 332 Nm + screws

**9017177** safety brake bracket 552 Nm + screws

### Plates for safety brakes

**9017167** plate CO 330x330

**9017169** plate CO 400x400

**9017171** plate CO 450x450

Tube	835-845-940	950-960	Adaptors sets
Ø133 x 4	<b>9013529</b>	9013574	set D.124
Ø133 x 2.5	<b>9013530</b>	9013537	set D.127
Ø139.7 x 3.6	<b>9013531</b>	-	set D.131
Ø139.7 x 3.2	<b>9013532</b>	-	set D.133
Ø159 x 4.5	<b>9013533</b>	9013538	set D.149
Ø168 x 4.5	<b>9013534</b>	9013539	set D.158
Ø168 x 3.5	<b>9013535</b>	9013540	set D.160
Ø193.7 x 5.4	-	9013542	set D.181

### Motor bracket

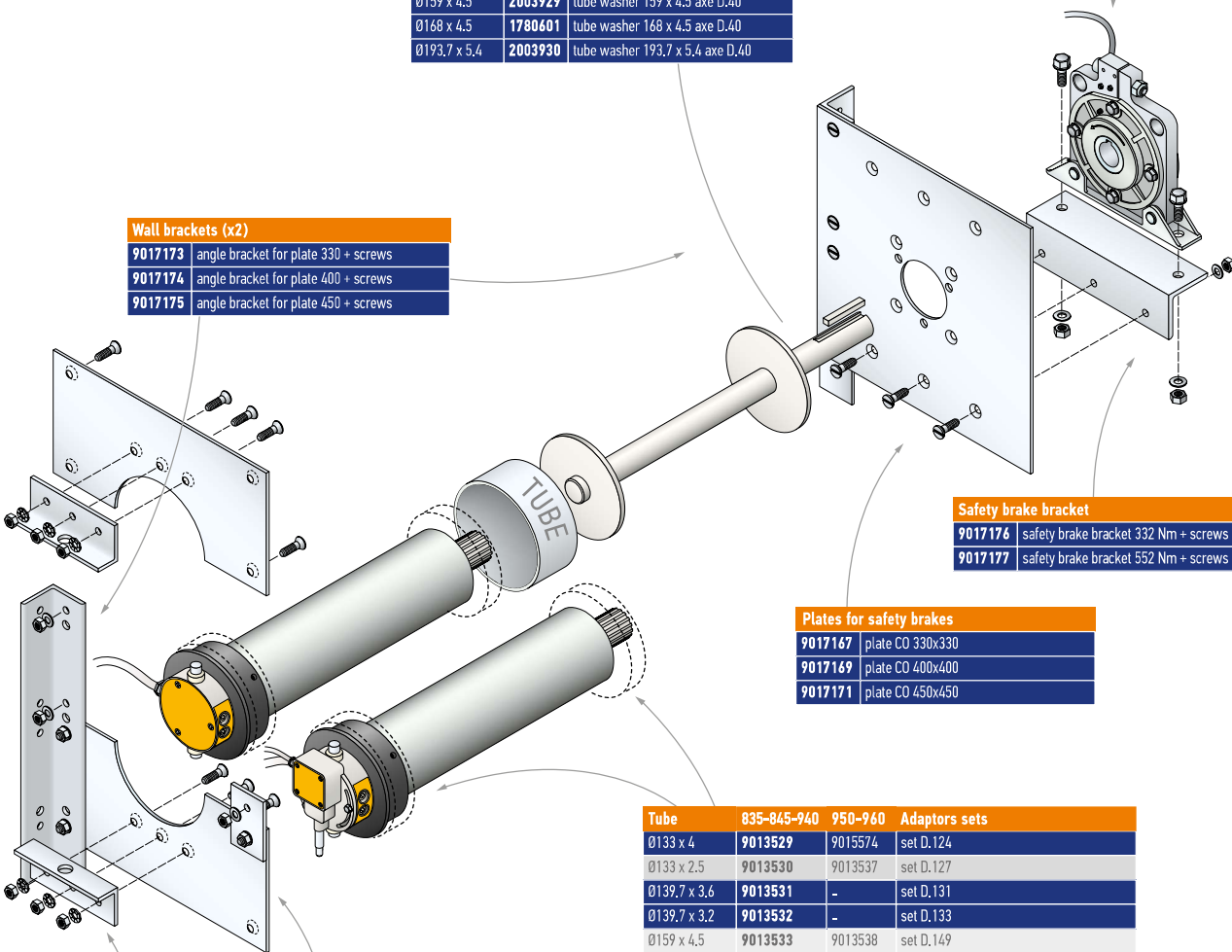
**9541089** angle bracket LT90

### Motor side plates

**9017159** plate CM 330x330 LT90

**9017162** plate CM 400x400 LT90

**9017164** plate CM 450x450 LT90



# I LT 90 - LT 90 M

## ACCESSORIES FOR MOUNTING BETWEEN WALLS WITHOUT SAFETY BRAKE

Wall brackets (x2)	
9017173	angle bracket for plate 330 + screws
9017174	angle bracket for plate 400 + screws

Bobbins		
Ø133 x 2,5	2003849	bobbin D,127 shaft D,35
Ø168 x 4,5	2003851	bobbin D,158 shaft D,35

Bobbin bracket	
9017180	angle bracket for shaft Ø35 + screws

Opposite side plates	
9017168	plate CO 330x330
9017170	plate CO 400x400

Opposite side plates	
9017167	plate CO 330x330
9017169	plate CO 400x400

Tube	835-845-940	950-960	Adaptors sets
Ø133 x 4	9013529	9015574	set D,124
Ø133 x 2,5	9013530	9013537	set D,127
Ø139,7 x 3,6	9013531	-	set D,131
Ø139,7 x 3,2	9013532	-	set D,133
Ø159 x 4,5	9013533	9013538	set D,149
Ø168 x 4,5	9013534	9013539	set D,158
Ø168 x 3,5	9013535	9013540	set D,160
Ø193,7 x 5,4	-	9013542	set D,181

Motor bracket	
9541089	angle brackets LT90

Motor side plates	
9017159	plate CM 330x330 LT90
9017162	plate CM 400x400 LT90

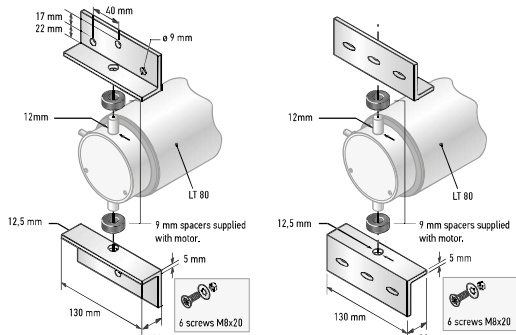
Ball bearing Ø30 kit	
9017179	bearing bracket Ø30 + screws

Ø30 end caps		
Ø133 x 4	9542521	bobbin CO 124x30
Ø133 x 2,5	9542522	bobbin CO 127x30
Ø159 x 4,5	2004194	bobbin CO 149x30
Ø168 x 4,5	2003871	bobbin CO 158x30
Ø168 x 3,5	2003872	bobbin CO 159x30

# I WALL MOUNTING ACCESSORIES

LT 80 / LT 80 M & LT 90 / LT 90 M

## Accessories motor brackets



Ref. 9001413

Ref. 9001414

### Non-manual motor bracket LT 80

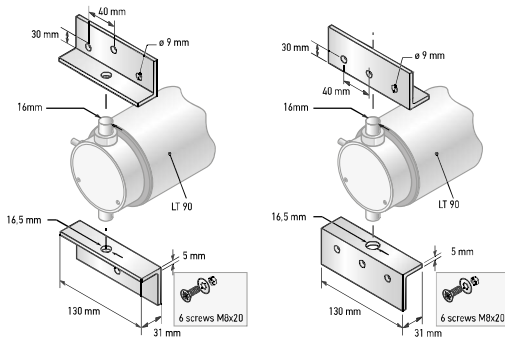
Bracket kit for non-override motors LT 80

Material: steel

Weight: 1000 g

Finish: galvanised

Maxi shutter weight: 350 kg



Ref. 9541089

### Non-manual motor bracket LT 90

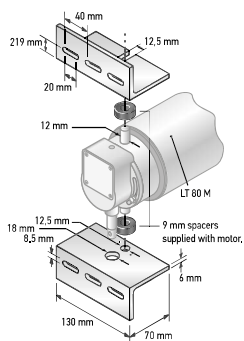
Bracket kit for non-override motors LT 90

Material: steel

Weight: 900 g

Finish: galvanised

Maxi shutter weight: 600 kg



Ref. 9541103

### Manual motor bracket LT 80M

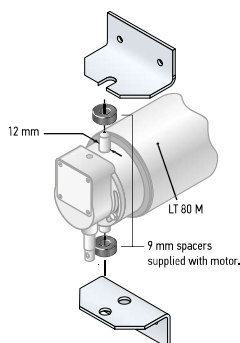
Bracket kit for override motors LT 80M

Material: steel

Weight: 1400 g

Finish: galvanised

Maxi shutter weight: 350 kg



Ref. 2270140

### Manual motor bracket LT 90M

Bracket kit for override motors LT 90M

Material: steel

Weight: 1400 g

Finish: galvanised

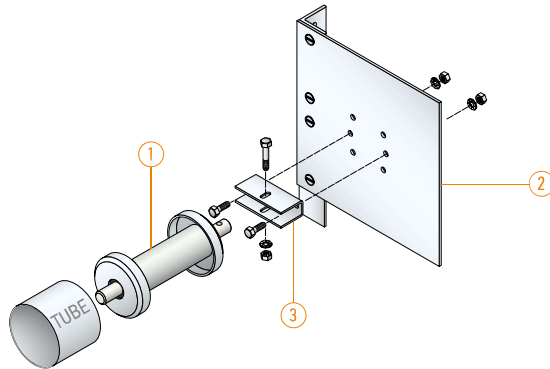
Maxi shutter weight: 350 kg



# I WALL MOUNTING ACCESSORIES

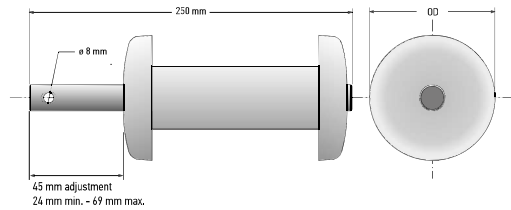
LT 80 / LT 80 M & LT 90 / LT 90 M

## Installation with bobbin



### 1. Bobbin

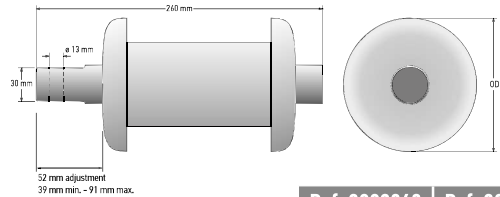
Shaft of  $\varnothing 20$  mm



	Ref. 9542008	Ref. 9542009	Ref. 9542012	Ref. 2003848
<b>Tube</b>	101.6 x 3.6	102 x 2	133 x 4	133 x 2.5

### Heavy duty bobbin

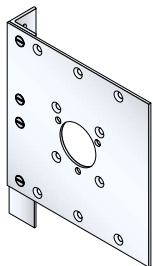
Maximum shutter weight: 600 kg - Shaft of  $\varnothing 35$  mm



	Ref. 2003849	Ref. 2003851
<b>Tube</b>	133 x 2.5	159 x 4.5
<b>Weight</b>	5400 g	8200 g

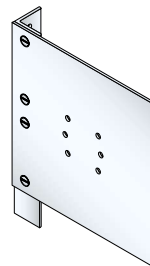
### 2. Plate opposite side

Opposite side plate for bearing  $\varnothing 30$  mm and for safety brake



Ref. 9017167	Ref. 9017169
H = 330 mm	H = 400 mm

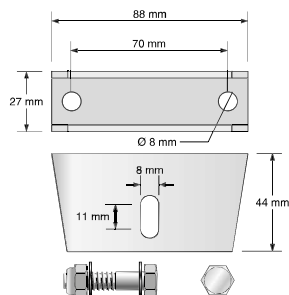
Opposite side plate



Ref. 9017166	Ref. 9017168	Ref. 9017170
H = 280 mm	H = 330 mm	H = 400 mm

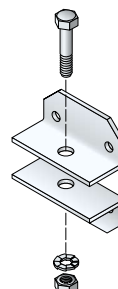
### 3. U bracket

Steel bracket - Shaft of  $\varnothing 20$  mm



Ref. 9017182
Max Weight = 350 kg

Steel bracket - Shaft of  $\varnothing 35$  mm

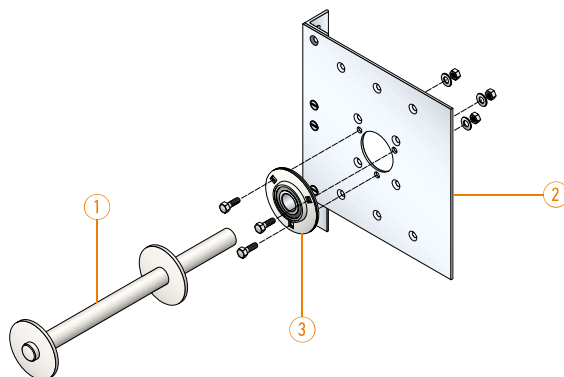


Ref. 9017180
Heavy duty

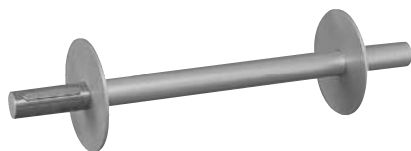
# I WALL MOUNTING ACCESSORIES

LT 80 / LT 80 M & LT 90 / LT 90 M

Installation with adjustable bobbin



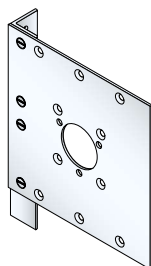
## 1. Adjustable bobbin $\varnothing$ 30



	Ref. 2003869	Ref. 9542520	Ref. 9542521	Ref. 9542522	Ref. 2004194	Ref. 2003871	Ref. 2003872
<b>Tube</b>	101.6 x 3.6	102 x 2	133 x 4	133 x 2.5	159 x 4.5	168 x 4.5	168 x 3.5

## 2. Plate opposite side

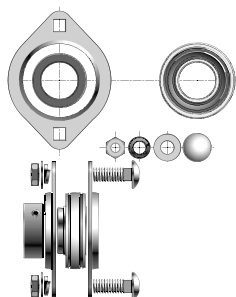
Opposite side plate for bearing  $\varnothing$  30 mm and for safety brake



Ref. 9017165	Ref. 9017167	Ref. 9017169	Ref. 9017171
H = 280 mm	H = 330 mm	H = 400 mm	H = 450 mm

## 3. Bearing $\varnothing$ 30 mm

To be used with adjustable end plate with screw M 10 x 30



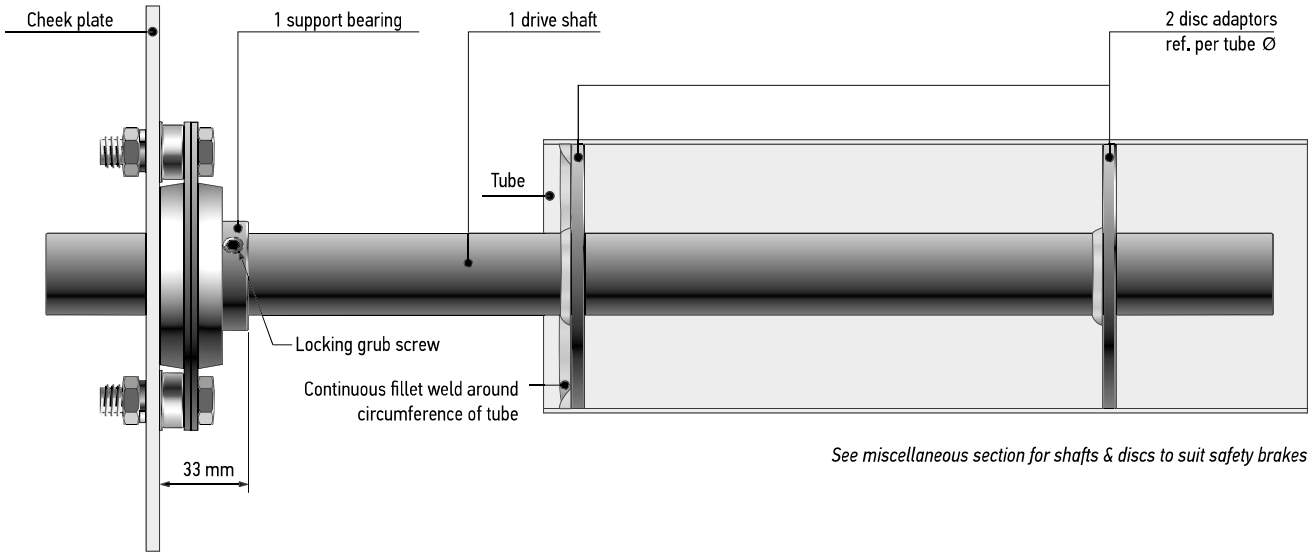
<b>Ref. 1781022</b>
<b>Max Weight = 800 kg</b>



# I WALL MOUNTING ACCESSORIES

LT 80 / LT 80 M & LT 90 / LT 90 M

## Plug end for LT 80m & LT 90m

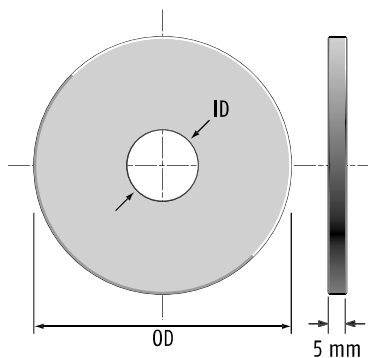


### Plain shaft Ø 30 mm

Material: steel  
 Weight: 2490 g  
 Maxi load: 1000 kg  
 Length: 350 mm

Ref. 9146580

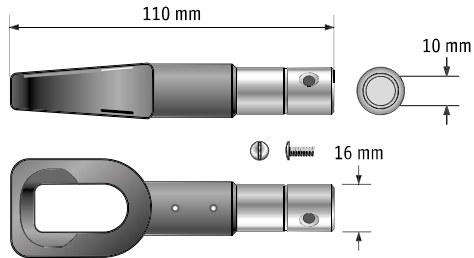
### Plain steel disc adaptors ø 30 mm



	Ref. 1781024	Ref. 1781056	Ref. 1781057	Ref. 1781025
<b>Tube</b>	101.6 x 3.6	102 x 2	108 x 4	133 x 4
<b>Weight</b>	183 g	203 g	210 g	365 g

# I MANUAL OVERRIDE ACCESSORIES

LT 80 / LT 80 M & LT 90 / LT 90 M



## Standard manual override eye outlet

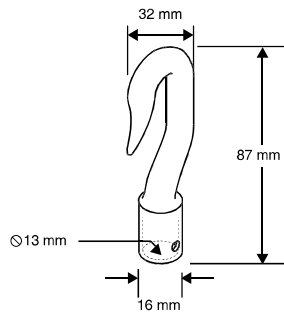
For LT 80M & LT 90M motors

Material: steel / plastic

Weight: 90 g

Finish: plastic / plated

Ref. 9137047



## Steel hook

Material: Steel

Weight: 80 g

Finish: galvanised

Ref. 9132253



## Crank handle

**Reference: 9129674**

Material: Steel

Weight: 1200 g

Finish: Plated

**Reference: 9129671**

Material: Steel

Weight: 1000 g

Finish: Plated

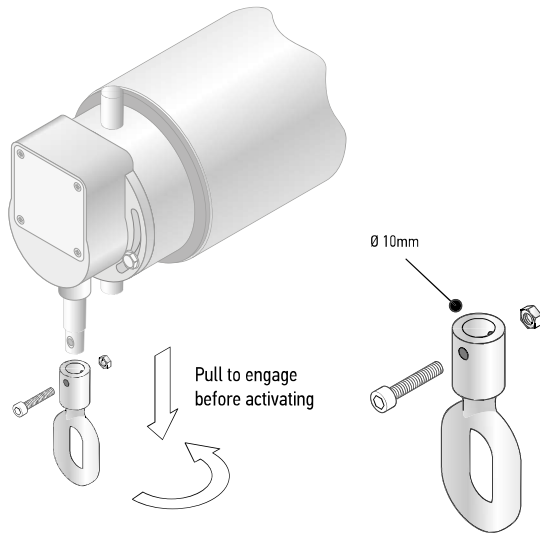
Ref. 9129674

Ref. 9129671



# I MANUAL OVERRIDE ACCESSORIES

LT 80 / LT 80 M & LT 90 / LT 90 M



## Eye outlet

For LT 80M & LT 90M motors

Material: steel

Weight: 80 g

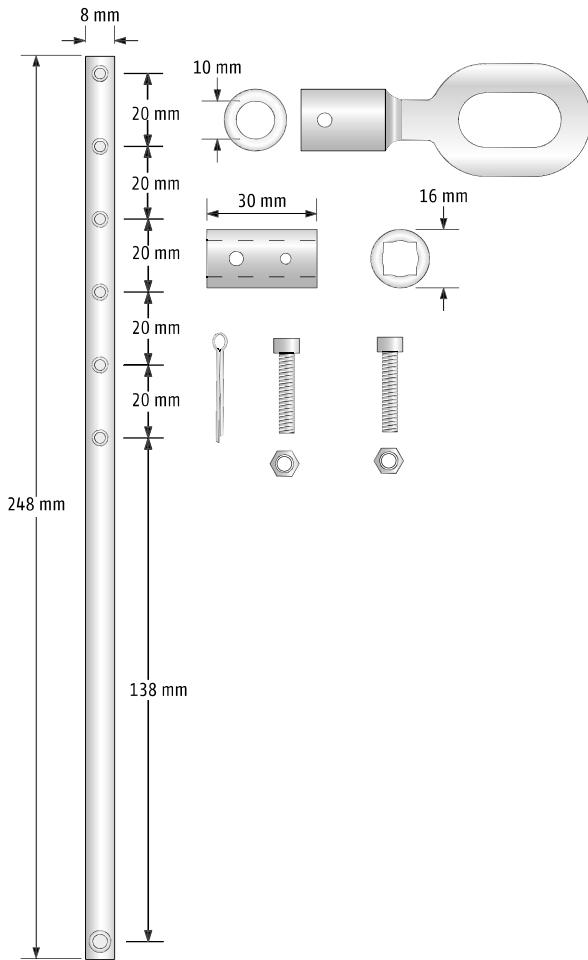
Finish: galvanised

Ref. 9014877



# MANUAL OVERRIDE ACCESSORIES

LT 80 / LT 80 M & LT 90 / LT 90 M



## Extended eye outlet

For LT 80M & LT 90M motors

Material: steel

Weight: 230 g

Finish: galvanised

Ref. 9340020

