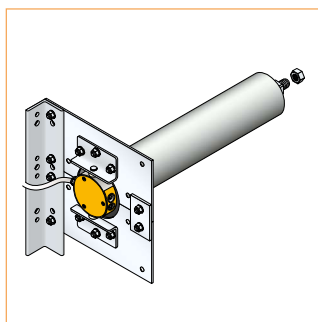


I LT 90 - LT 80 M

MOTORS FOR ROLLING GARAGE DOORS



The fixing system of motor with pins, a Somfy's specificity, guarantees a robust and sustainable maintain of the system



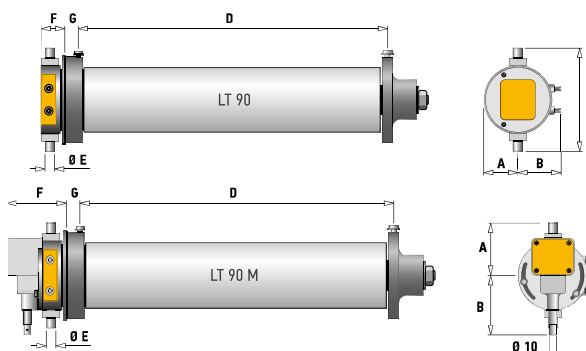
Range 220 V - 230 V / 50 Hz

	Torque	Speed	Power	Current	End limits	Base diameter	Weight	Manual override	Single phase	Three phases	Reference
LT 90 350	350 Nm	8 rpm	990 W	4.4 A	15 turns	94 mm	25 kg	No	•		1202020
LT 90 M 350	350 Nm	8 rpm	990 W	4.4 A	15 turns	94 mm	26	Yes	•		1202021
LT 90 450	450 Nm	8 rpm	1200 W	5.3 A	15 turns	124 mm	25	No	•		1202022
LT 90 M 450	450 Nm	8 rpm	1200 W	5.3 A	15 turns	124 mm	26	Yes	•		1202023
LT 90 M 600	600 Nm	8 rpm	1100 W	5.2 A	3 A	124 mm	34	Yes		•	1204013

KSA Range 220 V / 60 Hz

	Torque	Speed	Power	Current	End limits	Base diameter	Weight	Manual override	Single phase	Three phases	Reference
LT 90 450	450 Nm	8 rpm	1200 W	5.3 A	15 turns	124 mm	25	No	•		1202028
LT 90 M 450	450 Nm	8 rpm	1200 W	5.3 A	15 turns	124 mm	26	Yes	•		1202029

General overall size



	A (mm)	B (mm)	C (mm)	D (mm)	E (mm)	F (mm)	G (mm)
LT 90 350, 400, 450	51	57	154	656	16	35	20
LT 90 600	51	57	154	646	16	35	20
LT 90 M 350, 400, 450	77	87	-	656	16	87	20
LT 90 M 600	77	87	-	646	16	87	20

The most powerful torque range,

up to 600 Nm

- With three-phase power supply
- The LT 90 (600 Nm) is the best compromise on the market offering both a compact solution and high lifting capacity (up to 600 kg)

Safety end-limit system

- A third switch cuts the power supply to the motor when going beyond the up or down limits, in accordance with EN 12453








LT 90M version available

- With integrated manual override, orientable from 45°

Technical characteristics

	Single phase motors	Three phases motors
Power supply	230 volts - 50 Hz / 220 volts - 60 Hz	230/400 Volts - 50 Hz
Safety limit switch	•	•
Progressive limit switch	•	•
Integrated thermal protection	•	•
Integrated electromagnetic brake	•	•
Thermal cut-out	4 min	20 min
Application	50 cycles / day - non consecutive	100 cycles / day - non consecutive
Protection index	IP 44	IP 44
Delivered with	0.70 m power supply cable	1 m power supply cable

Recommended types of control for three phase motors

Type of Control	Radio control	Wired control with safety accessories	Wired control within sight, with maintained push, without safety accessory
Operating mode	Automatic or sequential	3 buttons or automatic	Maintained push
Control boxes	 SD 510 control box + SA HZ standard receiver	 SD 510 control box	 SD 250 control box
Control points	 Remote controls and radio transmitters	 Universal key switch	 Universal key switch
Safety accessories	 Safety edge, photocell barrier and signaling light		Not required

