

GC100

Fingerprint and RFID
Time & Attendance Terminal



WiFi



Battery

GC100 is the new generation colorful fingerprint time and attendance terminal for easily and flexible operation. GC100 houses 2.8-inch color LCD with rich colors and visibility intuitive GUI that is easy to understand and self-explanatory. The terminal also equips with Anviz latest waterproof and dust-proof fingerprint sensor and core BioNANO® algorithm. The optional Wi-Fi and battery let GC100 has higher flexibility installation options. A standard EM card and an optional mifare card module is also equipped with the terminal.

GC100

Fingerprint and RFID Time & Attendance

■ Features



32-bit High Speed CPU

Realizes low power consumption and high efficiency



Optional Battery

The long life battery ensuring up to 10 hours portable application.



Optional WIFI

The WiFi function ensures power on to work, and realize the flexible installation of the device.



Physical Keypad

The big physical keypad ensures the best user experiences and easily to use for all people around the world



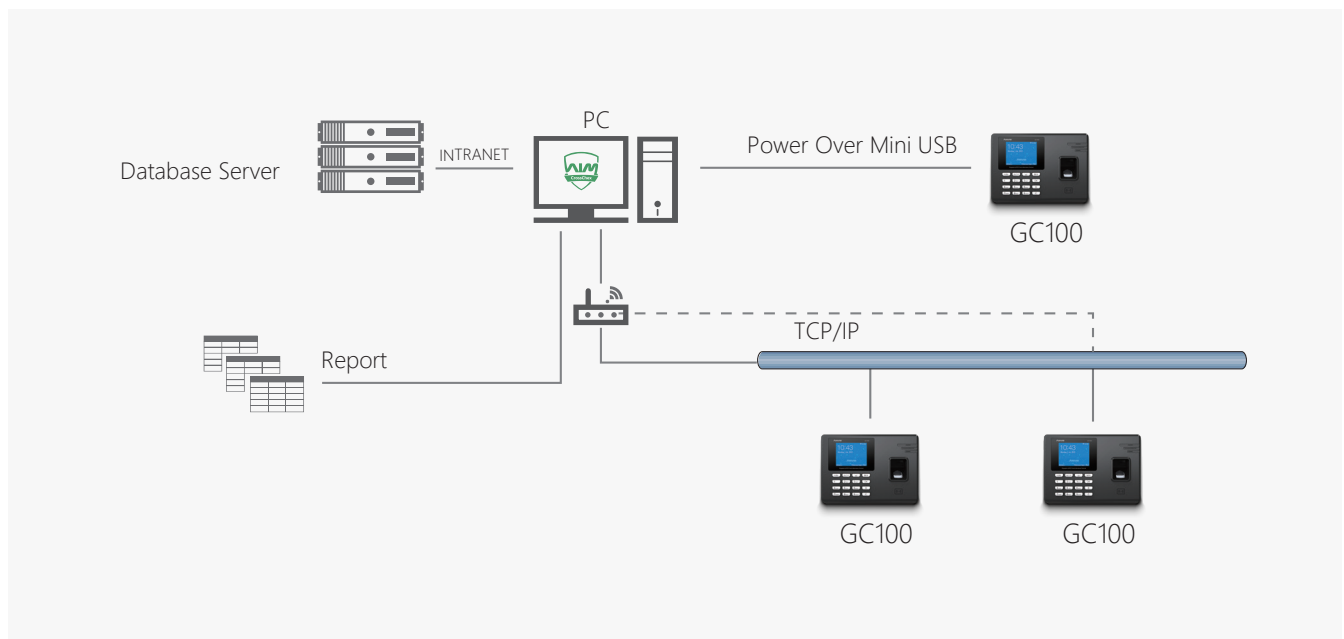
Colorful LCD Screen

The Colorful LCD screen ensures the best interaction and user experiences and can also provide clear notifications to the users.

■ Key Specifications

CPU	32-bit processor
User	1,000
Card	1,000
Record	100,000
Communication	TCP/IP, RS485, Mini USB, Optional Wi-Fi
Card reading distance	1~5cm (125KHz), 13.56MHz >2CM) for standard CR80 card
Identification mode	finger, password, card(standard EM, optional Mifare)
RFID card	standard EM, optional mifare
Working Temperature	-30°C~60°C
Humidity	20% to 90%
Power	DC5V/Optional 2600MAH Battery

■ System configurations



Anviz Global Inc.

41656 Christy Street Fremont , Fremont, CA,94538

Tel: 408-2637700 | Toll-free:1-855-268-4948 | Inquiry: sales@anziv.com | www.anviz.com

©2019 Anviz Gloabl Inc. Anviz and identifying product names and numbers herein are registered trademarks of Anviz Global Inc. All non-Anviz brands and product names are trademarks or registered trademarks of their respective companies. Product appearance, build status and/or specifications are subject to change without notice.

Due to the consistent improvement of the product, this specification and appearance are subject to change without notice.